



Discover
revolve
The world's first hybrid microscope

A REVOLUTION HAS BEGUN

When we set out to build the Revolve, we considered every element that defines a world class microscope: Image Quality, Performance, Versatility, and Ease of Use.

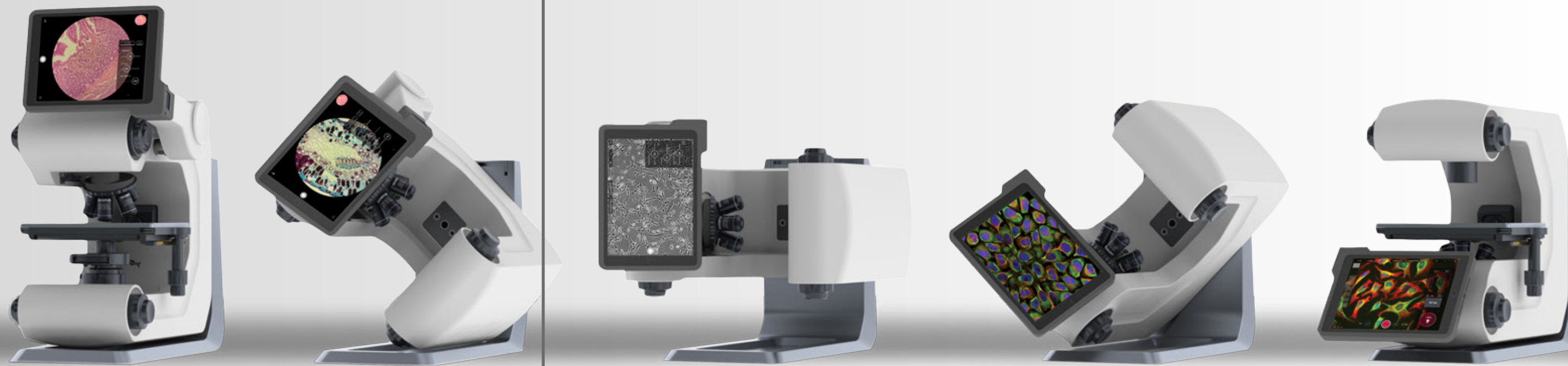
As it came together, the result was something entirely new. Something radically different from anything before it – an instrument that will change the way you view science.



DISCOVERY REVOLVES AROUND YOU

Despite sharing many optical components, conventional microscopes have always existed in two configurations: Upright or Inverted.

The idea behind Revolve was simple - create a single platform that can be used for both. For the first time, labs no longer have to choose between one system or the other, and users can quickly tailor their microscope to suit their specific needs.



EASY TO USE.

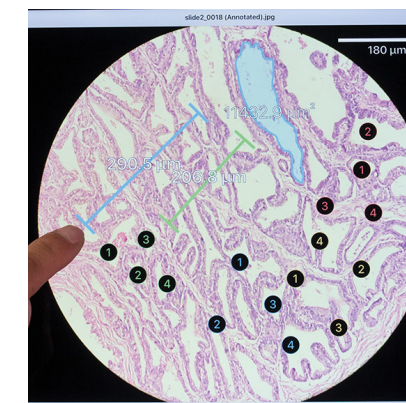
The Revolve is incredibly easy to use. You'll feel and appreciate the difference of using a familiar interface with responsive touch control.

Forget the learning curve. No longer are years of training and experience required to drive your microscope. The Revolve enables you to view and capture crystal clear publication quality images with ease.



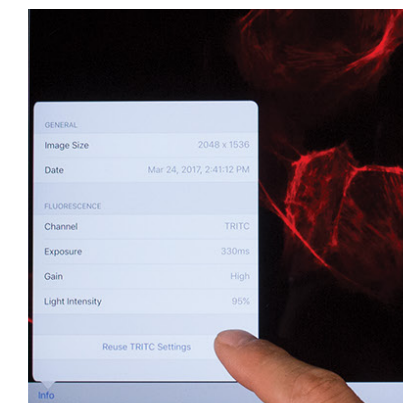
RESPONSIVE

Touchscreen functions drive cameras and illumination, replacing manual turrets and levers



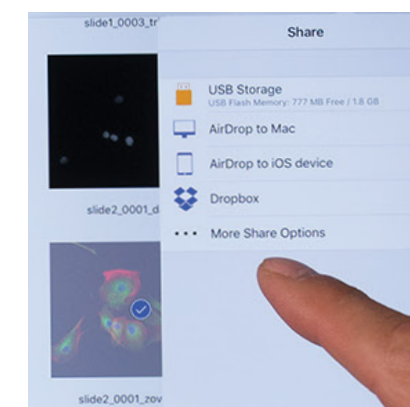
ANNOTATIONS

No more clicking. Tap to count cells. Draw lines and regions to measure.



REPEAT

Restore settings from previously captured images to accurately reproduce your experiments



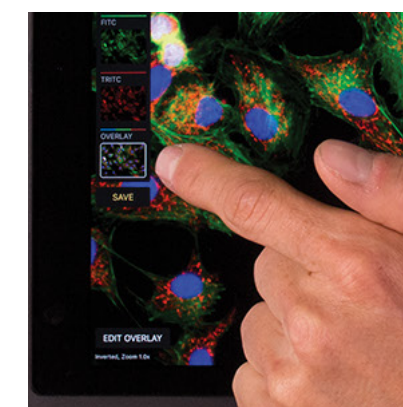
SHARE DATA

Share findings in seconds with Dropbox™, AirDrop®, USB, and other iOS file sharing options



PINCH TO ZOOM

Intuitive touch screen actions such as Pinch to Zoom are integrated into the Echo App options



OVERLAY

Capture and visualize overlays in seconds with a touch screen interface and motorized LED fluorescence

CONFIGURATIONS

Upright

Ideal for viewing glass slides.
Clean approach to oil immersion applications.
Useful for Water Dipping applications.
Use with optional high resolution condenser.

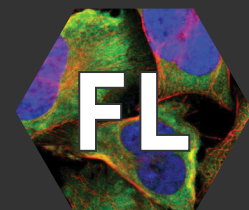
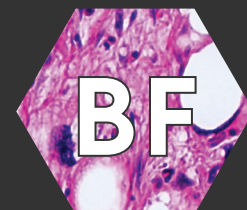


Inverted

Designed for viewing live samples in fluidic chambers such as dishes and well plates.
Allows for easier manipulation of samples.
Ideal for Long Working Distance applications.

Brightfield

Stunning detail. Perfect color.
12 MP color camera.
HD video, 120 fps.



Fluorescence

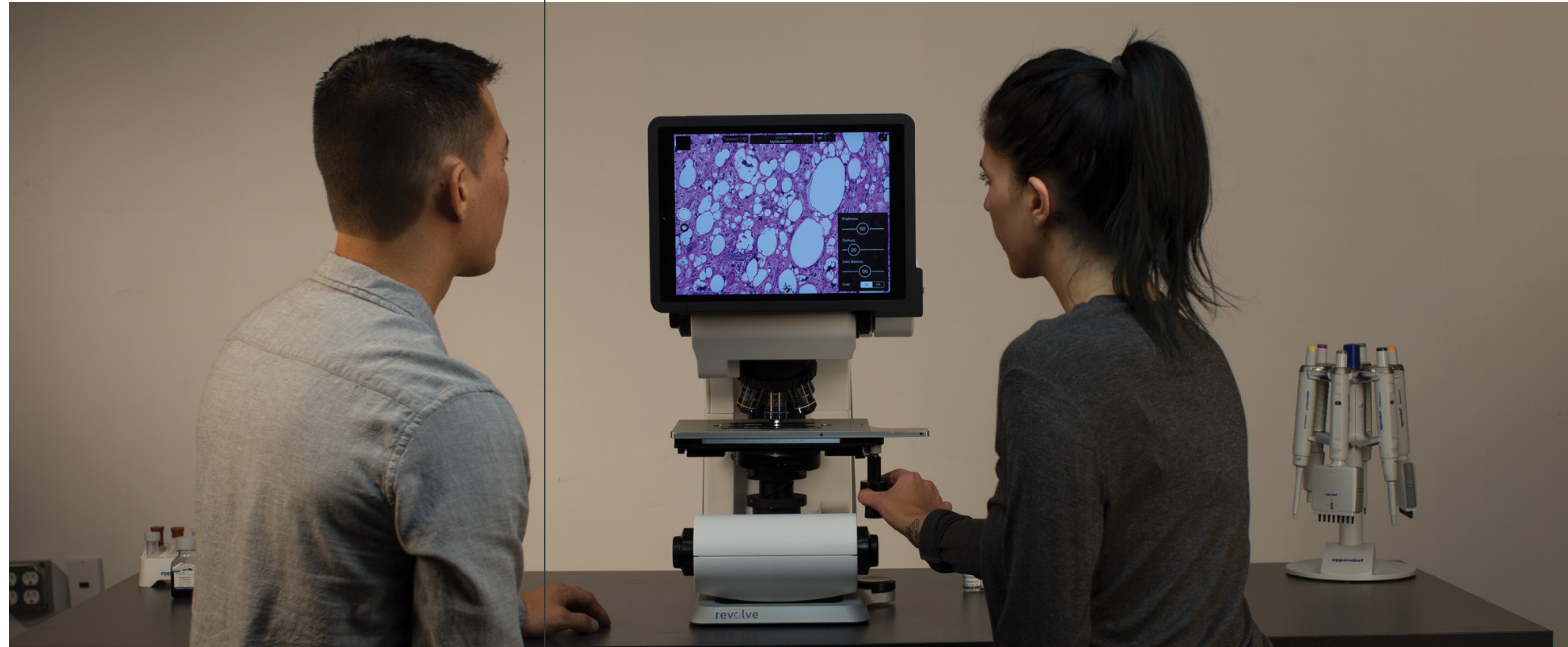
Exceptional performance.
No Darkroom required.
3.2 MP monochrome CMOS Camera

Image Quality
Seeing
is Believing.

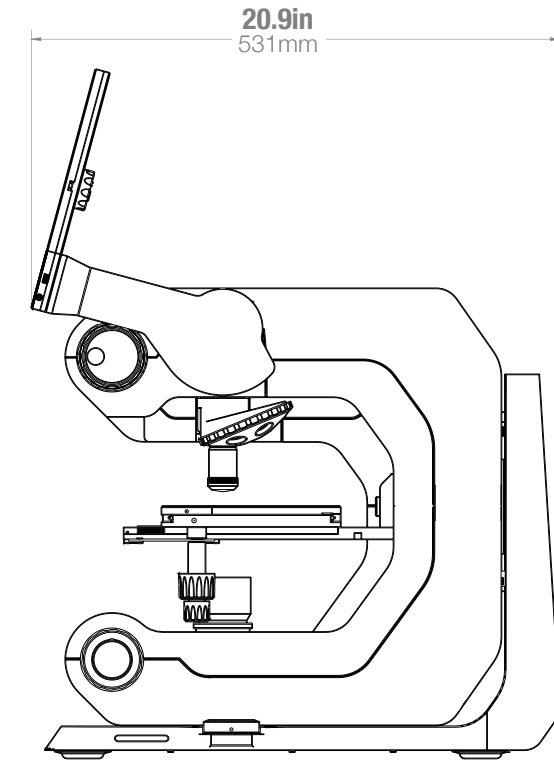
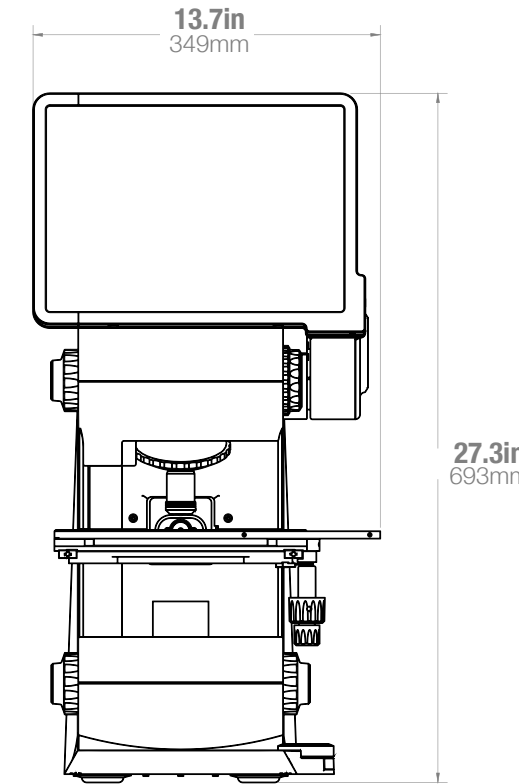
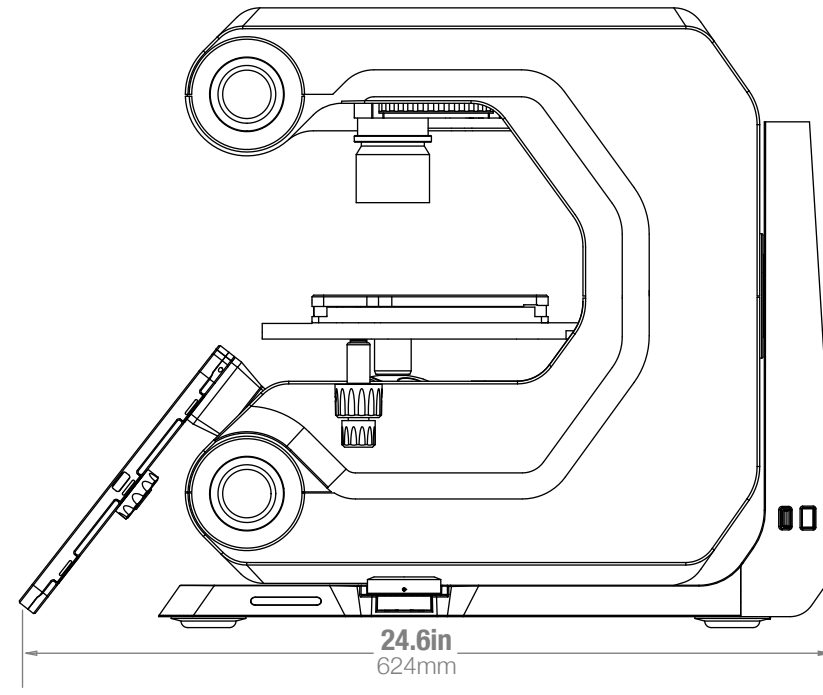
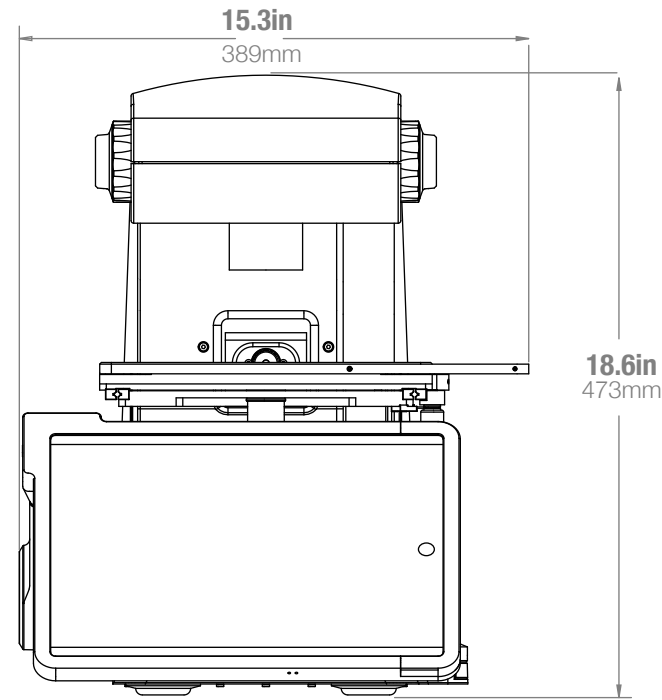


A NEW VISION

Microscopy shouldn't be limited to a single pair of eyes. We've replaced the traditional eyepieces with a more modern approach, the iPad Pro®.



PRODUCT SPECIFICATIONS



POWER

Voltage Input: 100 ~ 240 VAC (50/60Hz)
Voltage Output: 12V
Current Output (Max): 4.17A
Power: 50W

STAND

UPRIGHT and INVERTED observation modes
 4 accessible focus knobs for Upright and Inverted configurations
 Repeatable camera and LED light settings
 Anti-Shake feature: Leverages built in accelerometer to minimize the effect of external vibrations prior to image capture

SOFTWARE

Touch interface for microscope and camera control
 Measurement annotations: Length, Area, Cell Count, Scale Bar
 Touch-based cell counting tool (up to 6 different cell types)
 Customizable image overlay tools
 Downloads and updates available via App Store

OPTICS

Optical components by Olympus®
 1.25x – 100x (dry and immersion available)
 Plan Achromat, Plan Fluorite, and Plan Apochromat options
 Brightfield, Darkfield, Phase Contrast, and Fluorescence capabilities
 Extra Long Working Distance (ELWD) condenser available
 High Resolution (High N.A.) condenser available

MOTORIZED EPI-FLUORESCENCE TURRET

Ultra-bright LEDs with 50,000-hour lifespan
 Mercury-Free Illumination
 Outstanding long-term stability with precise illumination control
 5 Imaging Channels
 • 4 Epi-Fluorescence + 1 Transmitted Light
 Sample Protect Mode – Allows the user to control sample's exposure to excitation light

CAMERAS

Brightfield
 • 12MP CMOS Color camera
Fluorescence
 • 3.2MP CMOS Monochrome camera
 • 2048 x 1536 (Pixel size: 3.45µm)

DISPLAY

12.9" Retina® Display
 2732 x 2048 (264 pixels/inch)
 Full Circular FOV (field of view) as seen through conventional eyepieces
 Touchscreen interface

DATA TRANSFER

USB
 AirDrop® (iOS and Mac)
 Seamless integration with file sharing and cloud storage apps (Dropbox™)